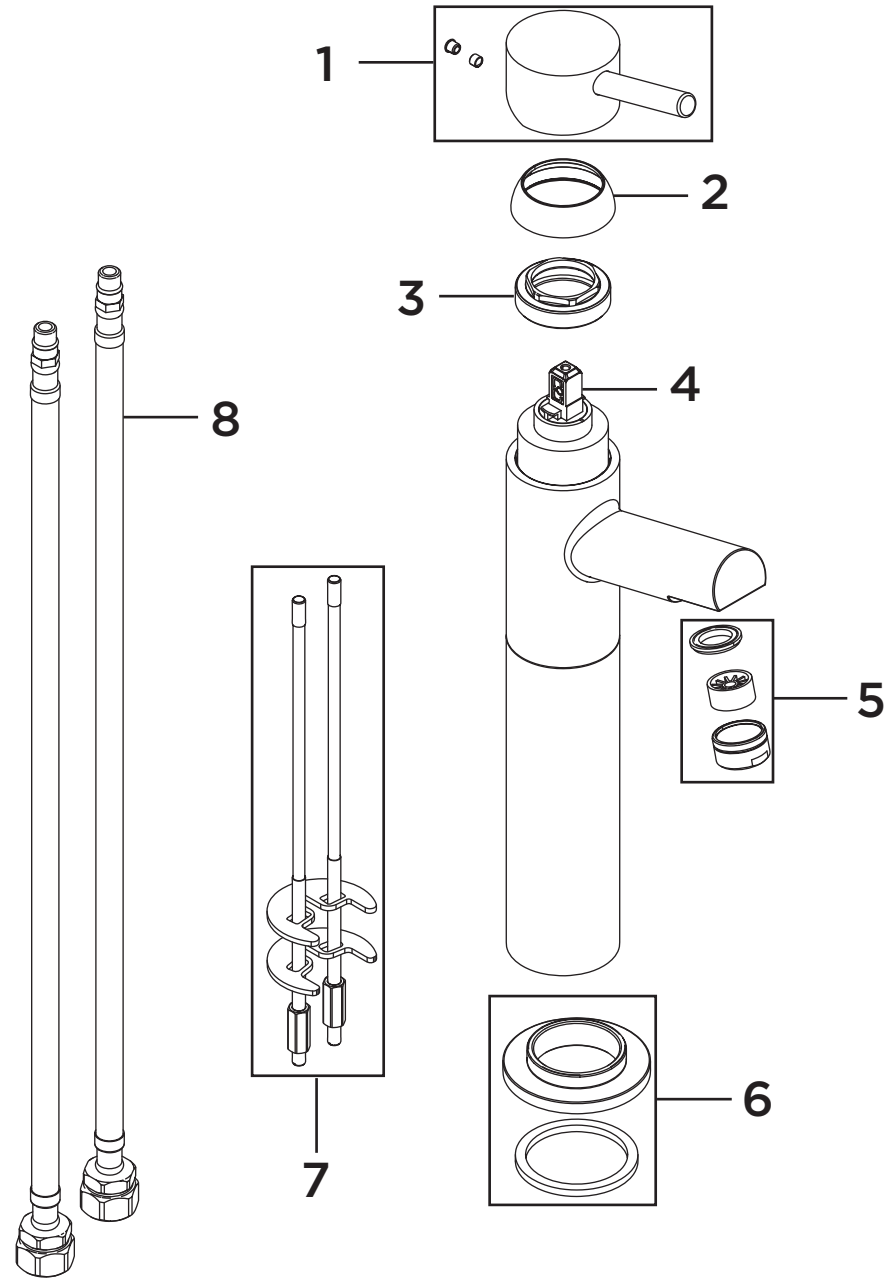


**Product Code:** PM TBAS C

**Revision:** D3



1	Handle Assembly
2	Shroud
3	Cartridge Retaining Nut
4	40mm Stepped Cartridge
5	M24 Flow Straightener
6	Plinth & Washer
7	Fixing Kit
8	1/2" BSP Flexible Tails (Pair)