

# N DSM C

1901 Tap Range  
1901 Deck Sink  
Mixer Chrome



## Specification

<b>Product Type:</b>	Kitchen Taps
<b>Main Construction Material:</b>	Brass; ABS; Stainless Steel
<b>Mount Type:</b>	Deck
<b>Handle Type:</b>	Crosshead
<b>Connection Inlet:</b>	1/2" BSP
<b>Connection Outlet:</b>	M24 Flow Straightener
<b>Number of Tap Holes:</b>	2
<b>Valve/Cartridge Type:</b>	1/2" Ceramic Disc Valve - 1/4 turn
<b>Plumbing System Requirements:</b>	Suitable for all plumbing systems
<b>Minimum Dynamic Pressure (bar):</b>	0.2 bar
<b>Maximum Dynamic Pressure (bar):</b>	5 bar
<b>Maximum Hot Water Temperature °C:</b>	65°C
<b>Maximum Static Pressure (bar):</b>	10 bar
<b>Flow Type:</b>	Dual
<b>Isolation Included:</b>	No

## Features:

- Enjoy lasting brilliance with our flawless, scratch-resistant chrome finish that's salt spray tested for durability
- Built to last, backed by a lifetime parts and 1-year labour guarantee

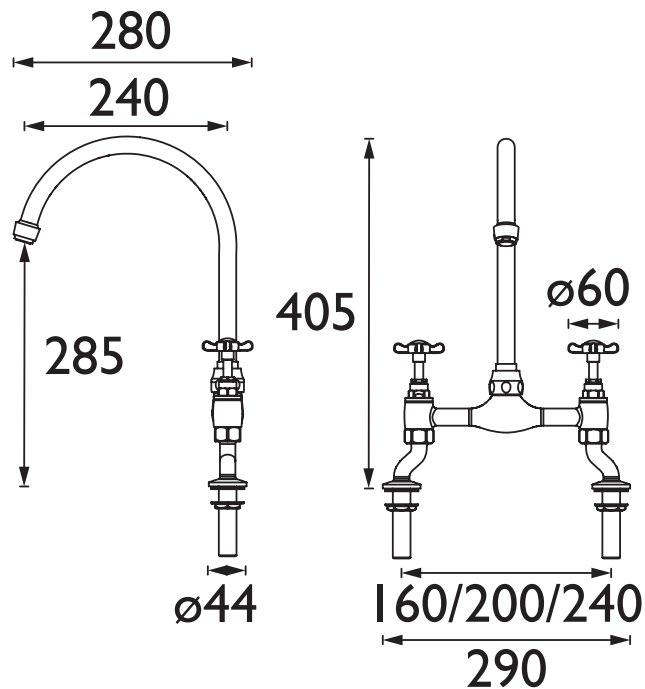
## Product Certifications:



For more products, visit our website:  
<http://www.bristan.com>



## Dimensions (measurements in mm)



## Flow Rates (l/min)

System Pressure (bar)	0.2	0.5	1	2	3	5
N DSM C (mixed)	22.7	35.9	50.8	71.9	88	113.6

TECHNICAL  
DATA  
SHEET



**BRISTAN**

D16