

# N BIB C

## 1901 Tap Range 1901 Bib Taps Chrome



### Features:

- Long life and easy to use 1/4 turn ceramic disc valves
- Product shown with up-stands
- Up-stands and horizontal extension pipes available separately
- Chrome plated to BS EN 248

### Product Certifications:



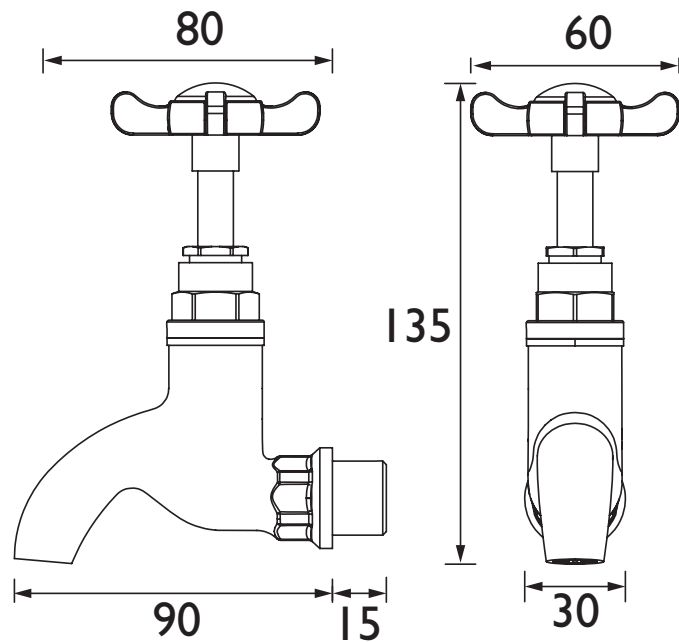
For more products, visit our website:  
<http://www.bristan.com>



### Specification

|                                   |                                   |
|-----------------------------------|-----------------------------------|
| Product Type:                     | Taps                              |
| Main Construction Material:       | Brass                             |
| Mount Type:                       | Deck                              |
| Handle Type:                      | Crosshead                         |
| Connection Inlet:                 | 1/2" BSP                          |
| Connection Outlet:                | Anti Splash                       |
| Number of Tap Holes:              | 2                                 |
| Valve/Cartridge Type:             | 1/2" Ceramic Disc Valves 1/4 Turn |
| Plumbing System Requirements:     | Suitable for all plumbing systems |
| Minimum Dynamic Pressure (bar):   | 0.2 bar                           |
| Maximum Dynamic Pressure (bar):   | 5.0 bar                           |
| Maximum Hot Water Temperature °C: | 65°C                              |
| Maximum Static Pressure (bar):    | 10 bar                            |
| Isolation Included:               | No                                |

### Dimensions (measurements in mm)



### Flow Rates (l/min)

| System Pressure (bar) | 0.2 | 0.5  | 1    | 2    | 3    | 5    |
|-----------------------|-----|------|------|------|------|------|
| N BIB C (Cold)        | 6.9 | 11.3 | 16.4 | 23.3 | 28.8 | 37.1 |
| N BIB C (Hot)         | 6.7 | 11.4 | 16.5 | 23.4 | 28.5 | 36.7 |

## TECHNICAL DATA SHEET



# BRISTAN

D8