

HAND100 C

ACCESSORIES

Bristan Single Function Rub Clean Shower Handset 100 Chrome



Specification

Finish/Colour:	Chrome Plated
Main Construction Material:	ABS
Shower Kit:	N/A
Rub Clean Handset:	Yes
Mounting Type:	Deck Mounted
Plumbing System Suitability:	Suitable for all plumbing systems
Minimum Dynamic Pressure (bar):	0.2
Maximum Dynamic Pressure (bar):	5.0
Maximum Static Pressure (bar):	10
Maximum Hot Water Supply Temperature °C:	75
Connection Inlet:	G 1/2"
Connection Outlet:	N/A
Isolation Included:	No
Check Valve Included:	No
What's Included:	1 x Handset, 1 x Fitting Instructions

Features:

- Clam packed
- Rub clean face plate
- Suitable for all plumbing systems
- Available in chrome and white

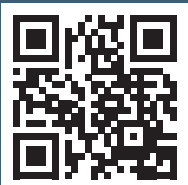
Product Certifications:



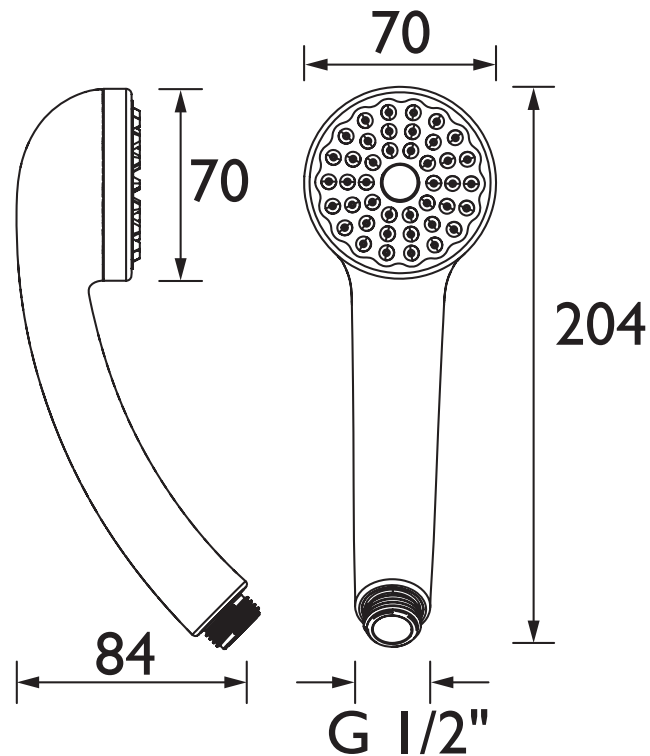
WRAS Certificate No: 2112068
WRAS Expiry Date: 31/12/2026



For more products, visit our website:
<http://www.bristan.com>



Dimensions (measurements in mm)



Flow Rates (l/min)

System Pressure (bar)	0.2	0.5	1	2	3	5
Through Handset (mixed)	8.9	14.1	19.9	28.2	34.5	44.5

TECHNICAL DATA SHEET



BRISTAN

D9