

SOL105 W

SOLIS Electric Shower Range Solis 10.5kw Electric Shower White



Specification

Main Construction Material:	ABS Plastic
Finish/Colour:	White
Control Type:	Dial & Push Buttons
No of Controls:	5
Shower Type:	Electric Shower
Shower Head Type:	Single Function Handset
Working Pressure Range: (bar)	Min. 0.7 Bar, Max. 10 Bar
Maximum Static Pressure: (bar)	10
Plumbing System Suitability:	Mains Cold Feed Only
Connection Inlet:	15mm Push Fit
Connection Outlet:	G 1/2"
Thermostatic:	Thermostatic
Isolation Valve Included:	No
Check Valve Included:	No
Power Rating:	10.5 KW (+24% more flow)
Phased Shutdown Feature:	Yes
Energy Rating:	A

Features:

- 15mm push-fit inlet connection
- Available in 8.5kW, 9.5kW and 10.5kW power ratings @240V
- Comfortable, safe showering; the thermostatic feature avoids temperature changes when water is used elsewhere in your home
- Touch on/off control and super sleek looks.

Product Certifications:



WRAS Cert. No: 1806008
WRAS Expiry Date: 30/06/2023

BEAB EMS Approved
BEAB Safety Approved
CE Approved



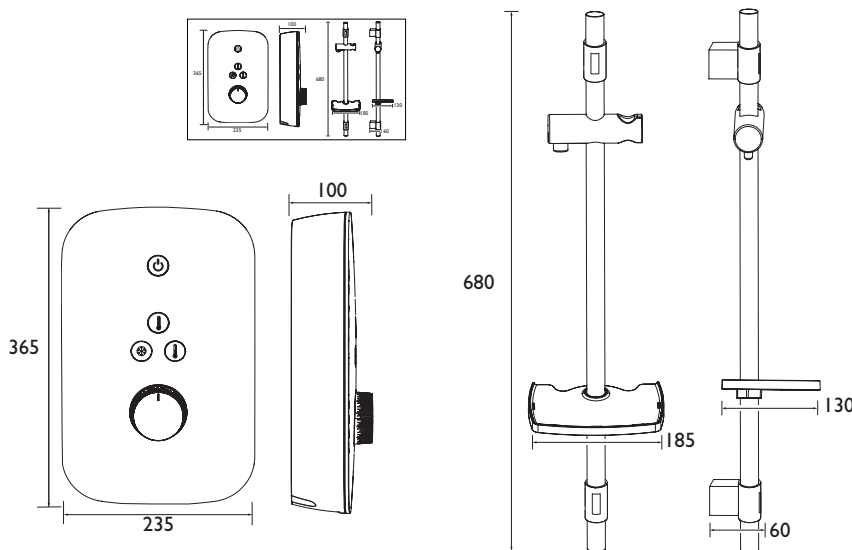
Intertek



For more products, visit our website:
<http://www.bristan.com>



Dimensions (measurements in mm)



Flow Rates (l/min)

Power	8.5kW	9.5kW	10.5kW
Flow Rate	4.5	5.1	5.6

Quoted as per European Water Label (EWL) scheme conditions:
Output - 42°C, Input - 15°C, Voltage - 240V

TECHNICAL DATA SHEET



BRISTAN

TAPS & SHOWERS

D2