

# ZI SHXSMCT C

## COOLTOUCH Shower Range Zing Safe Touch Bar Mixer SM Kit



### Features:

- Thermostatic cartridge with preset temperature stop at 38°C, can be over-riden to a maximum of 46°C
- Cold water feed surrounds the hot water to ensure the valve is safe to touch by all the family
- Includes 1.5m hose, rub-clean anti-limescale handset and hose retainer

### Product Certifications:



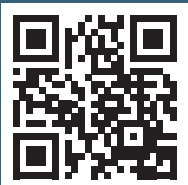
WRAS Certificate No: 250203002  
WRAS Expiry Date: 28/02/2030



TMV2 Certificate No: K-2310701  
TMV2 Expiry Date: 02/10/2028



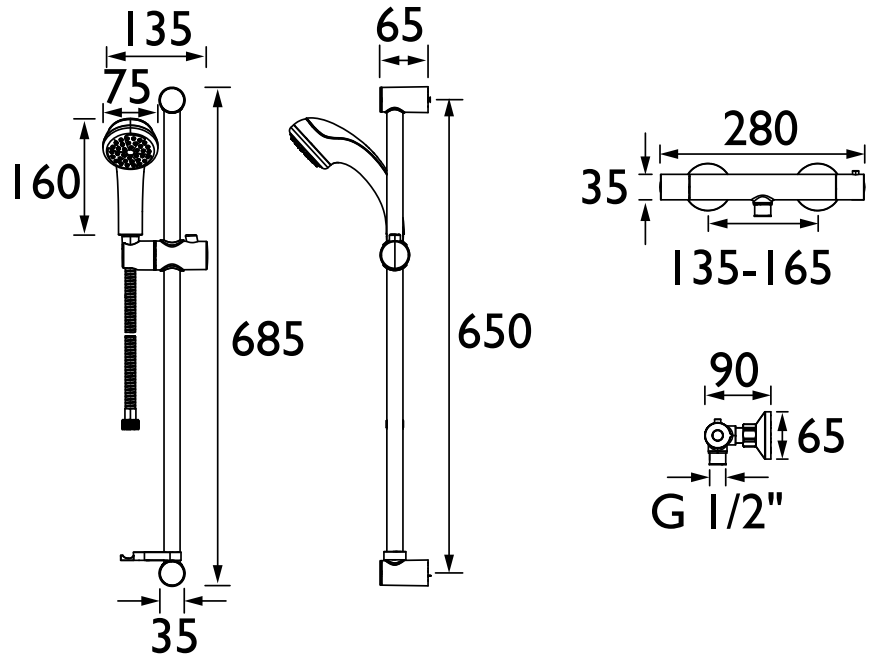
For more products, visit our website:  
<http://www.bristan.com>



### Specification

Finish/Colour:	Chrome Plated
Main Construction Material:	Brass, Zinc, Stainless Steel and ABS
No of Controls:	2
Shower Type:	Bar Shower
Shower Head Type:	Single Function Handset
Shower Kit:	Adjustable Riser
Valve/Cartridge Type:	Thermostatic Cartridge
Maximum Hot Water Supply Temperature °C:	60
Plumbing System Suitability:	Suitable for all plumbing systems
Minimum Dynamic Pressure (bar):	0.2
Maximum Dynamic Pressure (bar):	5
Maximum Static Pressure (bar):	10
Connection Inlet:	15mm Compression
Connection Outlet:	G 1/2"
Isolation Valve Included:	No
Check Valve Included:	Yes

### Dimensions (measurements in mm)



### Flow Rates (l/min)

System Pressure (bar)	0.2	0.5	1	2	3	5
Valve Only/Largest FR (mixed)	2	4	6.1	8.7	11	14.5
Through Handset (mixed)	3.6	6.2	9.1	13	15.8	20.1

## TECHNICAL DATA SHEET



# BRISTAN

D17