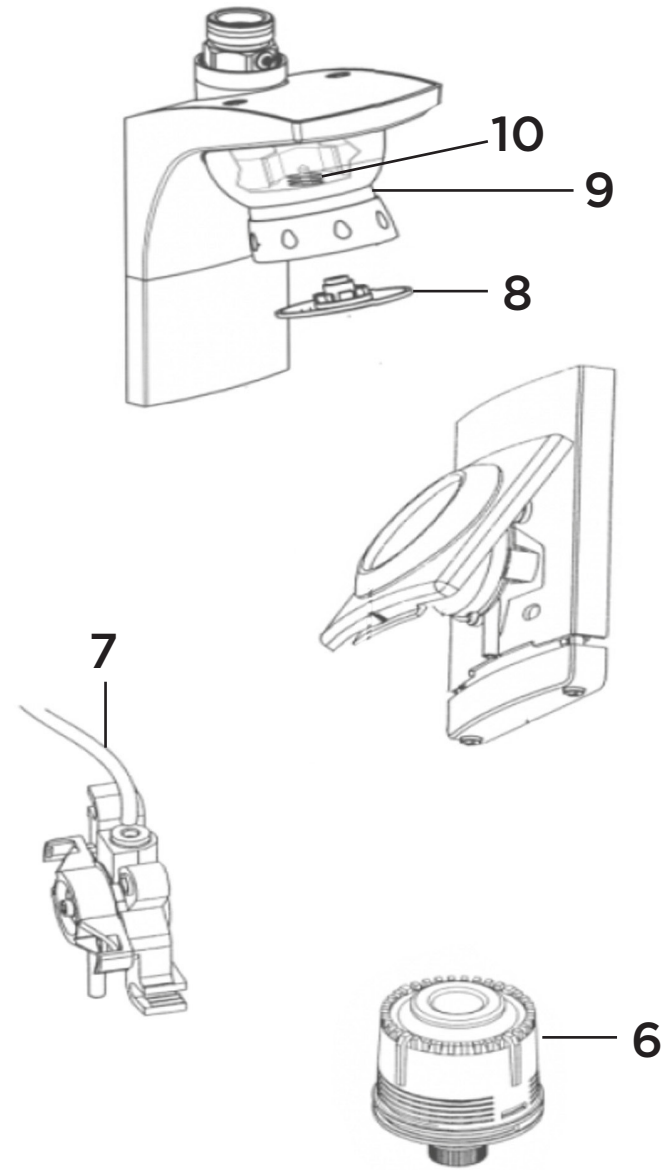
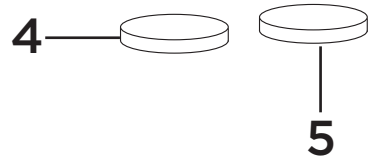
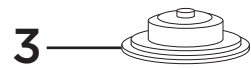
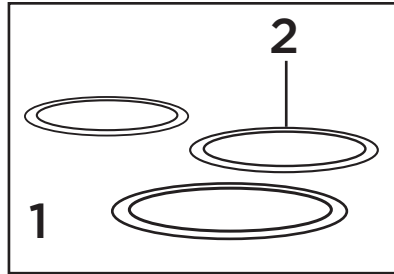


Product Code: TFP4001

Revision: D2



1	Seals Kit
2	O-Ring
3	Push Button Seal
4	MR05 6lpm Flow Limiter
5	MR05 8lpm Flow Limiter
6	Cartridge
7	Push Button Mechanism
8	Spray Plate Assembly
9	Locking Collar
10	Collar Washer