
BRISTAN

Installation Instructions and User Guide

Timed Flow Panel with
Adjustable Head

Models Covered:

TFP4001

**Please keep this booklet for future
reference.**

**Installer, when you have read these
instructions please ensure you leave
them with the user.**

Contents

Thank you for choosing Bristan, the UK's leading showers and taps expert. We have designed this product with your enjoyment in mind. To ensure that it works to its full potential, it needs to be fitted correctly. These fitting instructions have been created to give you all of the information you need and, if you need any further help, please do not hesitate to give us a call on 0330 026 6273

Contents

• Important Safety Information	3
• General Information	4
• Product Features	5
• Specifications	6
• Installation Requirements	7
• Installation	8-12
• Operation & Commissioning	13
• Maintenance	14-15
• Adjusting Time Flow	15-16
• Troubleshooting	17
• Notes	18-19

Important Safety Information

- Please read these instructions thoroughly and retain for future use.
- All products manufactured and supplied by Bristan are safe provided they are installed, used correctly and receive regular maintenance in accordance with these instructions.
- This fitting needs to be installed in accordance with, and meet the requirements of the Water Supply (Water Fittings) Regulations 1999 and Scottish Byelaws 2004.
- **If you are in any doubt about your ability to install this product safely you must employ the services of an experienced qualified plumber.**
- Remove all packaging and check the components for damage before starting installation.



Warning: Before starting any installation please consider the following: Prior to drilling into walls, check that there are no hidden electrical wires, cables or water supply pipes. This can be checked with the aid of an electronic detector.

- If power tools are used do not forget to:
 - Wear eye protection
 - Unplug equipment after use
- The fitting of isolating valves is required as close as is practical to the supply inlet feeds.
- The fitting of strainers is recommended as close as is practical to the water supply inlet feeds.



Warning: Before installing the shower panel it is essential that you thoroughly flush through the pipework in order to remove any remaining swarf, solder, etc. Failure to carry out this procedure could cause problems or damage to the workings of the shower valve.

- This product **must not** be modified in any way as this will invalidate the guarantee.

General Information

The Bristan Timed Flow Shower Panel has been designed, manufactured and tested to the highest standards and satisfies the requirements of the Water Supply (Water Fittings) Regulations 1999 and current bylaws

Designed to be used with systems designed to BS 6700.

BS6700 recommends the temperature of stored water should never exceed 65°C. A stored water temperature of 60°C is considered sufficient to meet all normal requirements and will minimise the build up of lime scale in hard water areas (see Map of Hard Water Regions in the UK on page 18).

If the fitting is installed at low pressure (tank fed), then the minimum distance from the highest installed position of the showerhead to the underside of the stored water supply should be at least 10 metres to ensure adequate performance.

This shower valve should be installed in compliance with the Water Supply (Water Fittings) Regulations 1999 and the Scottish Byelaws

If in doubt, contact a registered plumber or your Local Water Authority or the Secretary of The Institute of Plumbing, address as follows;-

The Institute of Plumbing,

64 Station Lane, Hornchurch,

Essex, RM12 6NB

Tel: 01708 472791

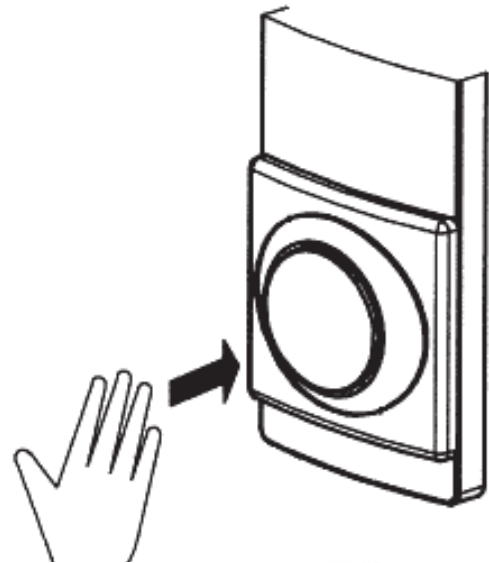
Recommended Usage			
Domestic	✓	Heavy Commercial	✓
Light Commercial	✓	Health Care	X

Product Features

1. Push button control

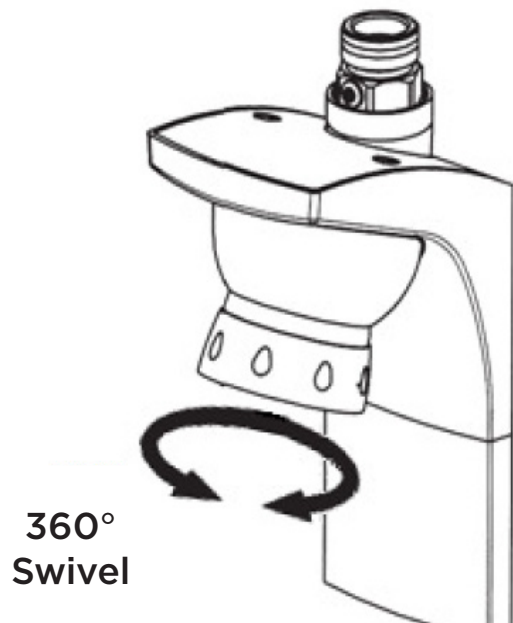
Press the push button in to turn on the flow of water

The water will flow for approximately 30 seconds depending on site conditions.



2. 360° swivel shower head

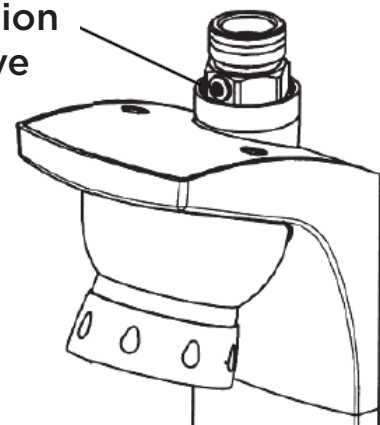
The shower head swivels in any direction 360°. Simply twist the shower head to the desired position.



3. Built in isolation valve

The shower panel incorporates a built in isolation valve within the telescopic connection for ease of maintenance.

**Built in
Isolation
Valve**



Specifications

Inlet Connection:

3/4" BSP Male telescopic connection.

Operating Pressure Range:

Min: 1.0 bar – Max: 5.0 bar

Maximum Static Pressure: 10.0 bar

Flow Regulator: Supplied with a 10 litres per minute flow regulator fitted.

Supply Requirements:

A blended hot & cold water supply is required to the Timed Flow Shower Panel.

Performance:

Flow Rates are in litres per minute with a 10 litre per minute flow regulator fitted.

Flow rates accurate to +/-10%.

Installation Requirements

These fittings need to be installed in accordance with the following Installation Requirements and Notes (IRN) to ensure they meet the requirements of the Water Supply (Water Fittings) Regulations 1999 and the Scottish Byelaws 2004.

IRN R001: See text of entry for Installation

Requirement or Notes.

IRN R040 - Schedule 2-15 (1): The fitting shall be installed so that its outlet discharges above the spill-over level of any fixed appliance as indicated below:-

For backflow protection in domestic or installations up to, and including, Fluid Category 3.

If the fitting cannot be installed as indicated in the table opposite it shall be installed as

either **a** or **b** below:

a: with an approved double check valve assembly or some other no less effective backflow prevention device immediately upstream of the inlet.

b: so that it draws water by gravity only from a cistern, or cylinder having a permanently open vent pipe, and the distributing pipe supplies no other fitting (other than draining tap) at a lower level.

Size of tap or combination fitting.	Vertical distance of outlet above spill-over level.
1. Not exceeding 1/2 in	20mm
2. Exceeding 1/2 in but not exceeding 3/4 in	25mm
3. Exceeding 3/4 in	70mm

For backflow protection in premises or installations up to, and including Fluid Category 5.

The vertical distance of the outlet above the spill-over level shall be not less than 20mm or twice the diameter of the inlet pipe to the fitting, whichever is the greater. If the fitting cannot be installed as indicated it shall be installed with a backflow prevention arrangement suitable for the Fluid Category.

Installation

Before Installation

Flush through the pipework to ensure removal of debris. Turn off the water supply and close any isolating valves.

1. Fit wall Bracket

Position the wall bracket onto the wall surface in the desired position bearing in mind the suggested distance (2100mm) from the floor to the shower head.

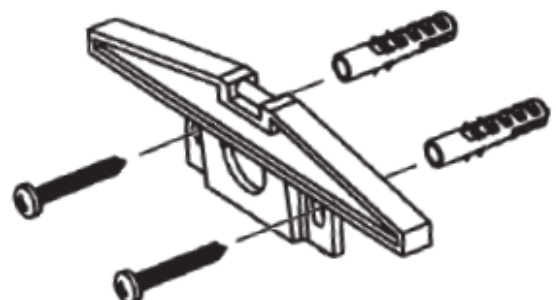
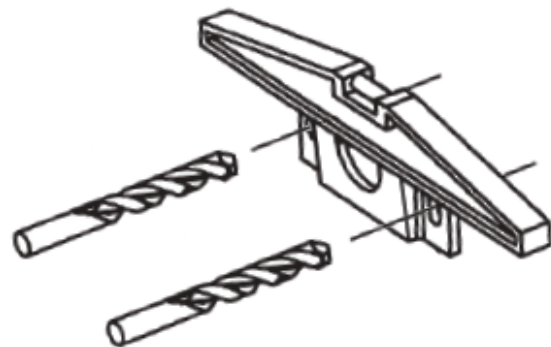
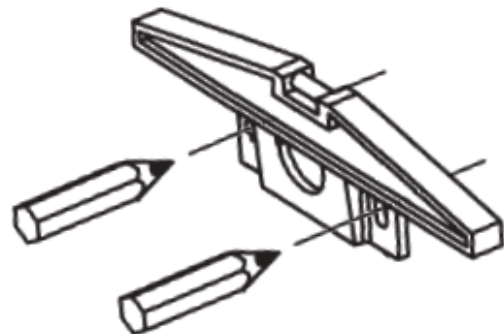
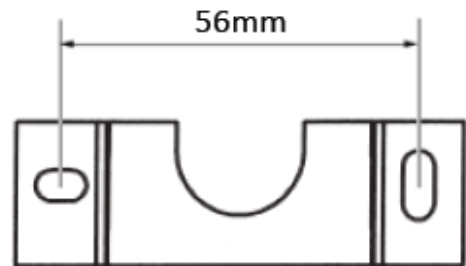
Using a spirit level to ensure the wall bracket is level and mark out the fixing holes.



Warning: Please check for any hidden pipes and cables before drilling holes in the wall.

Drill suitable holes in the wall surface at the marked positions using a suitable drill bit and insert the wall plugs as necessary. If wall plugs are required use a 6mm drill bit.

Secure the wall bracket to the wall surface.



Installation

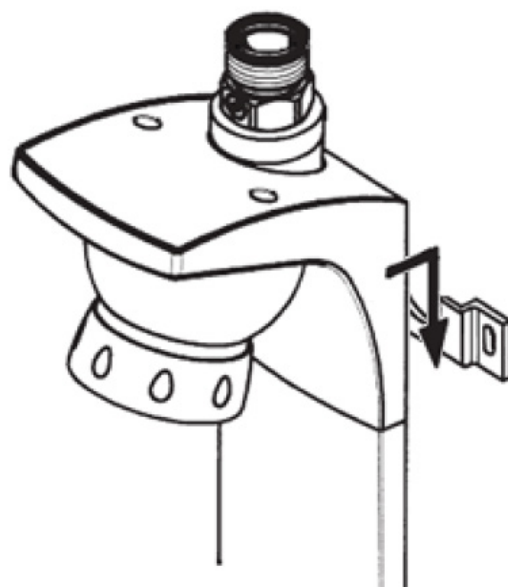
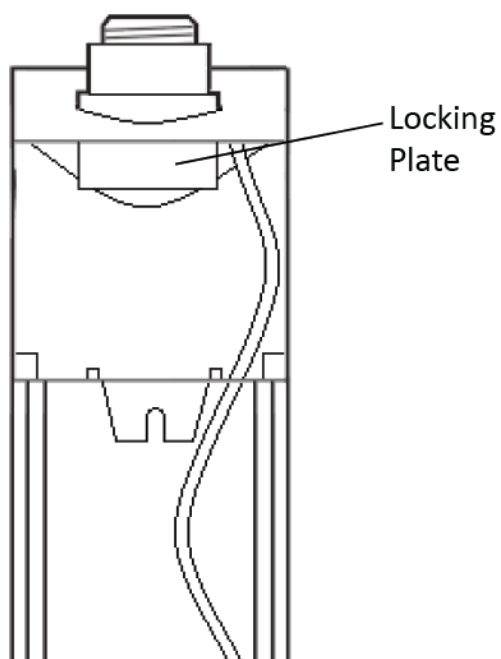
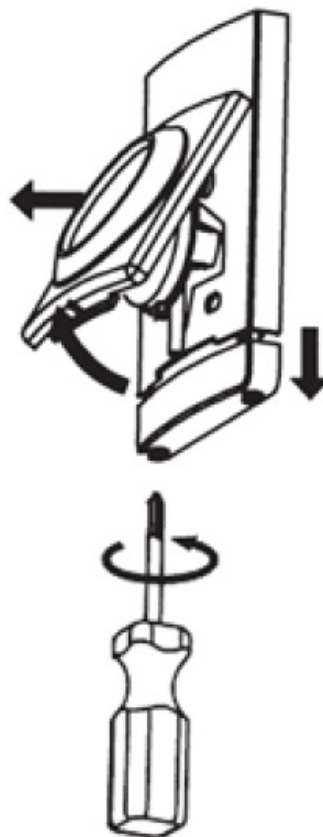
2. Remove push button cover

Using a suitable screw driver remove the bottom end cover.

Pull the push button cover up from the panel and remove.

3. Pre fit shower panel

Fit the shower panel against the wall and push it down so that the locking plate fits securely into the wall bracket.



Installation

4. Mark bottom fixings

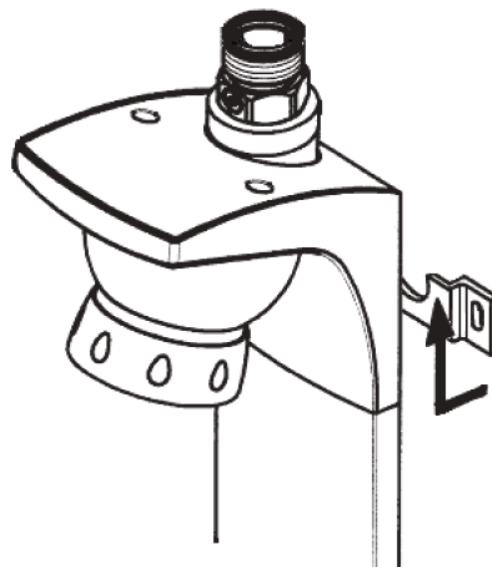
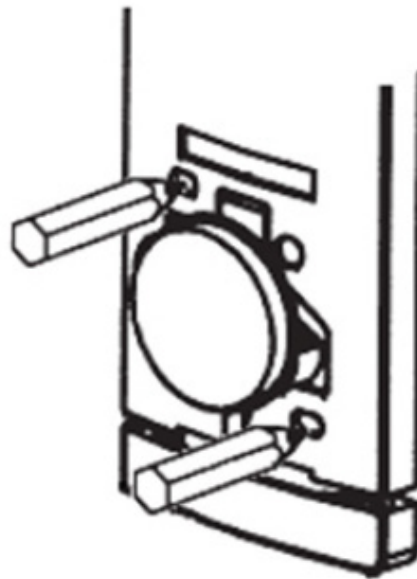
Ensure the shower panel is vertical (using a spirit level) and flat against the wall and mark the bottom fixing holes either side of the push button.

Remove the shower panel from the wall by lifting it out of the wall bracket.



Warning: Please check for any hidden pipes and cables before drilling holes in the wall.

Drill suitable holes in the wall surface at the marked positions using a suitable drill bit and insert the wall plugs as necessary.



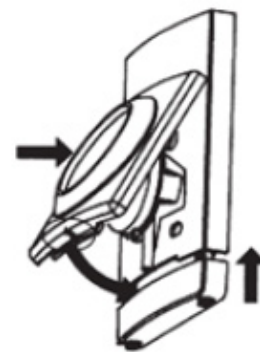
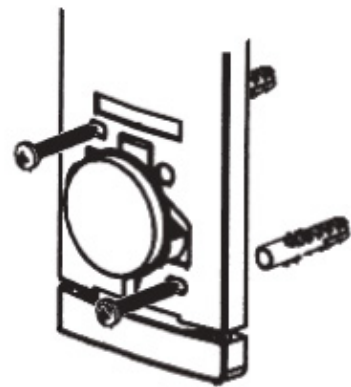
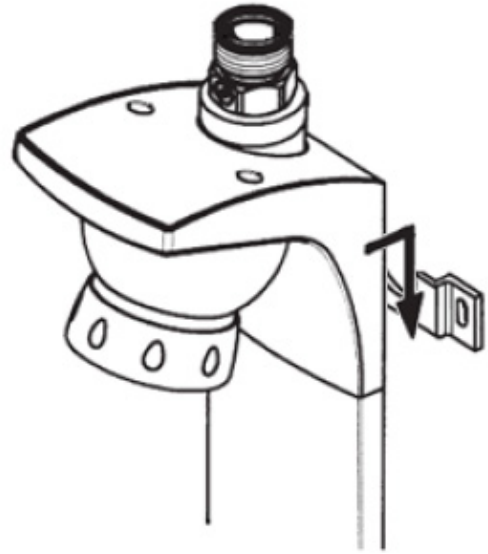
Installation

5. Fit the shower panel

Fit the shower panel to the wall ensuring the locking plate fits securely into the wall bracket and line up the holes in the bottom of the panel with the holes drilled in the wall surface.

Secure the shower panel to the wall using the screws provided.

Refit the push button cover, push the bottom end cover into the bottom of the shower panel and tighten the end cover screws (**DO NOT OVERTIGHTEN**)



Installation

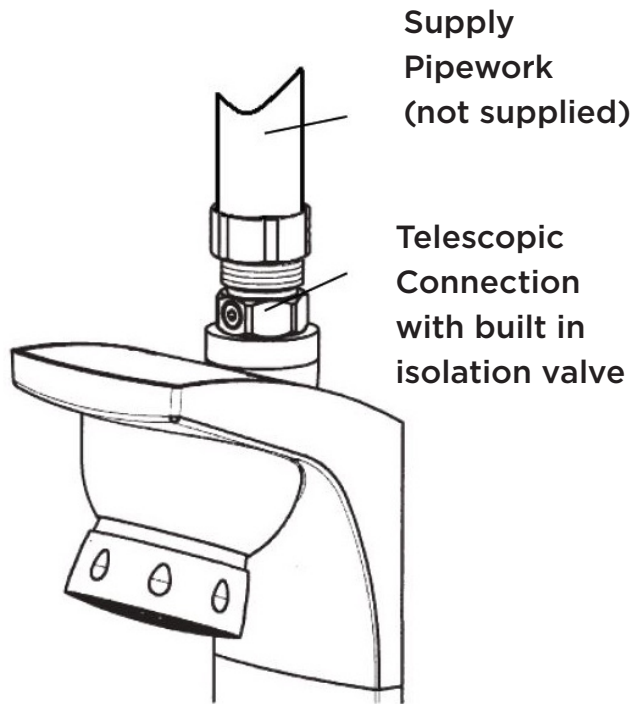
6. Connect water supply

Ensure the telescopic connector is fully extended by pulling it up to access the built in isolation valve.

Tip: Screw a 3/4" BSP female connector (not supplied) onto the thread of the telescopic connector to easily pull it up and fully extend.

Connect the water supply using a 3/4" BSP female connection with a suitable sealing washer (not supplied). Alternatively use a suitable sealing tape on the thread to create a water tight seal.

Turn on the water supply to the shower panel and open the built in isolation valve.



Operation & Commissioning

Operating the shower panel

To turn on the flow of water press the push button in.

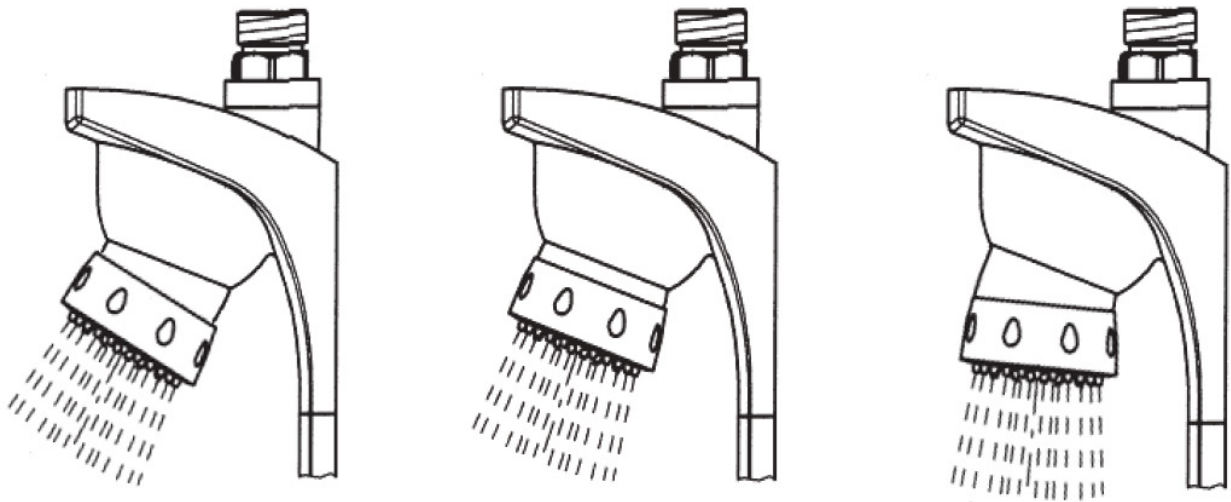
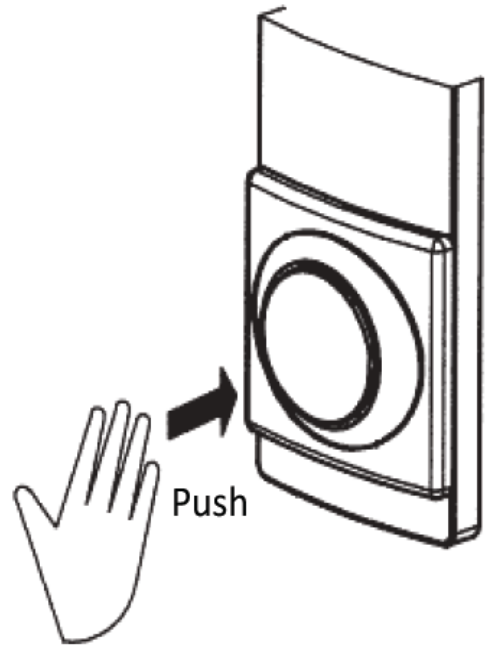
The water will flow for approximately 30 seconds depending on site conditions.

Note: Refer to Adjusting The Time Flow section to change the time duration.

Adjusting the shower head angle

The shower head swivels 360° in any direction.

See below for different positions.



Before using the Bristan Shower panel please follow the below steps to commission the unit.

Ensure the supply pipework is flushed through.

Open the built in isolation valve and turn on the water supply.

Maintenance

General Cleaning

Your fitting has a high quality finish and should be treated with care to preserve the visible surfaces. All finishes will wear if not cleaned correctly. The only safe way to clean your product is to wipe with a soft damp cloth. Stains can be removed using washing up liquid.

All bathroom cleaning products (powders and liquids) will damage the surface of your fitting, even the nonscratch cleaners.

Note: Never use abrasive detergents or disinfectants or those containing alcohol, hydrochloric acid or phosphoric acid.

Flow cartridge maintenance

We advise that the shower is regularly serviced in hard water areas to maintain the flow of water. For more information on hard water areas, scan the QR code or visit our website at

www.bristan.com/hard-water-map



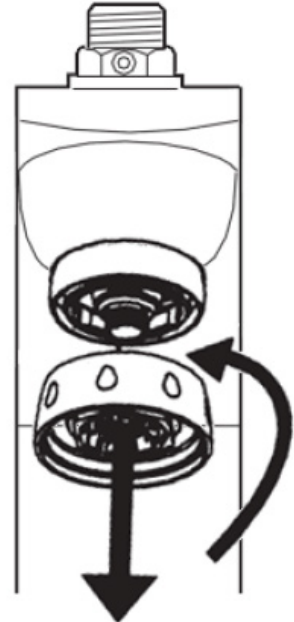
Isolate the water supply to the shower panel by either:

- Closing the isolation valve on the telescopic connection or
- Turning the blended water supply off at the hot and cold supplies.

Follow the directions opposite.



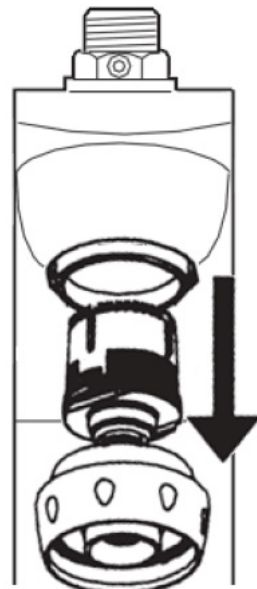
1. Unscrew the shower head using a 4mm hexagonal key.



2. Remove the shower head and push out the spray plate.



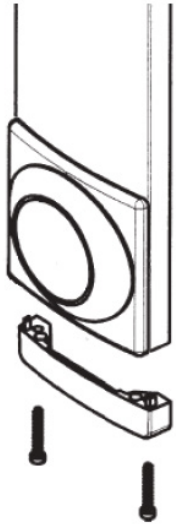
3. Turn the shower head upside down and slot into the locking nut. Unscrew the locking nut and remove.



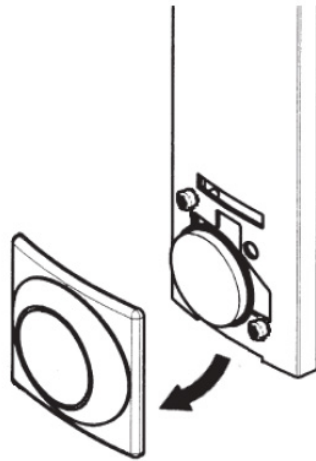
4. Pull the flow cartridge out and inspect /replace as necessary.

Maintenance

Removing the push button cover



1. Remove the end cover screws and pull the end cover off from the panel.



2. Lift the bottom of the push button cover up and pull away from the panel.

Cleaning the shower head

Your Bristan shower head has rubber – clean nozzles for easy cleaning. Simply rub your fingers across the rubber spray jets regularly to remove any scale or debris.

The hardness of the water in your area will determine how often you should clean your shower head.

Build up of scale in particularly hard water areas combined with constant use means you may need to clean your shower head once a week. To ensure continued performance of your shower the shower head needs to be regularly descaled.

Adjusting Time Flow

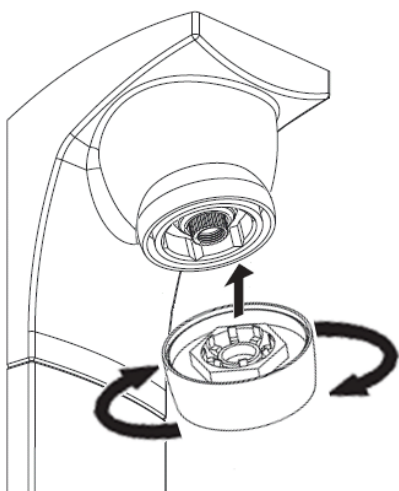
Adjusting the time flow setting.

At factory settings, the water will flow for approximately 30 seconds depending on site conditions. The Bristan shower panel gives the user the option to adjust the time flow setting. Follow the step by step diagrams to adjust the flow setting.

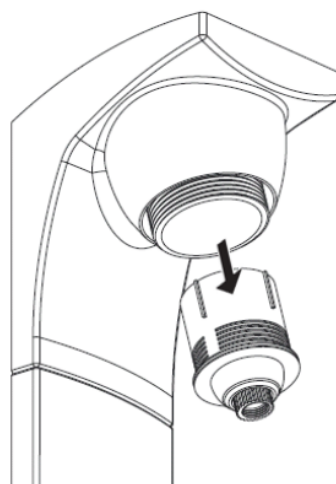
1. Unscrew the locking screw using a 4mm hexagonal key and remove the spray plate and spray plate holder.



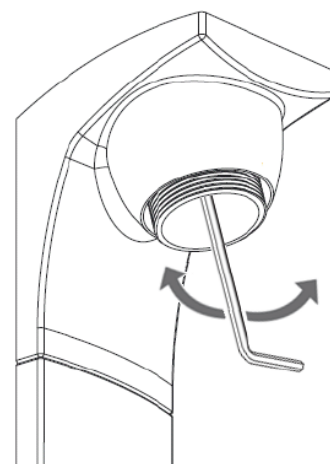
Adjusting Time Flow



2. Invert the spray plate holder and use to unscrew the locking collar.



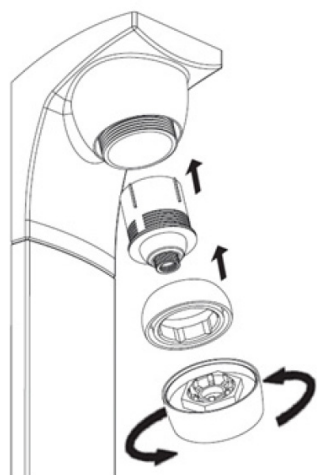
3. Pull the flow cartridge out from the shower.



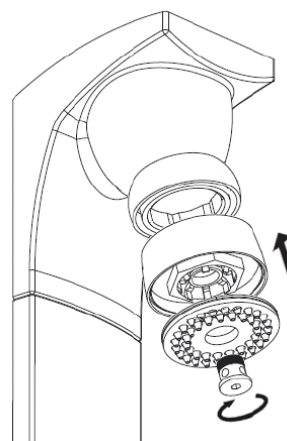
4. The nominal 30 secs run time can be adjusted by inserting a 3mm hexagonal key as shown. Turn the flow screw clockwise for a longer flow time and anti-clockwise for a shorter flow time.

+2 = +20%. Max 36 secs

-3 = -35%. Min 20 secs



5. Once the flow time has been adjusted push the flow cartridge back into the shower. Screw the locking collar back onto the shower using the spray plate holder.



6. Push the spray plate holder and spray plate onto the locking collar and secure in position by tightening The locking screw.

Troubleshooting

Symptom	Cause	Remedy
Shower will not turn on when push button is pressed in.	Isolation valve closed.	Open the isolation valve on the telescopic connection. Check any isolation valves to the water supply are open.
	Bleed tube not fitted correctly.	Remove the shower panel from the wall and check the bleed tube is fitted correctly.
	Shower flow cartridge faulty.	Refer to maintenance section to remove the shower flow cartridge and check/replace if necessary.
	Push button assembly faulty.	Remove the push button cover and check/replace the push button assembly.
Shower is Dripping Water from Base	There is a small hole at the bottom of the shower which works as a pressure release function. During use in a wet environment, water will be collected inside the push-button mechanism and this allows it to be expelled during operation.	
Shower will not turn off.	Shower flow cartridge faulty.	Refer to maintenance section to remove the shower flow cartridge and check / replace if necessary.
	Push button assembly faulty.	Refer to the maintenance section to remove the push button cover and check/replace the push button assembly.
Shower does not run for long enough.	Isolation valve partially closed.	Open the isolation valve on the telescopic connection. Check any isolation valves to the water supply are open.
	Insufficient water pressure.	Check water supply pressure. Refer to specification section for minimum working pressure.
	Shower flow cartridge faulty.	Refer to maintenance section to remove the shower flow cartridge and check/replace if necessary.
	Push button assembly faulty.	Refer to the maintenance section to remove the push button cover and check/replace the push button assembly.
	Time flow requires adjustment.	Refer to Adjusting Time Flow section to adjust the time flow to a longer setting.
Poor flow from the shower head.	Showerhead blocked	Refer to the maintenance section to remove the shower head and clean the spray plate.
	Flow regulator blocked	Refer to the maintenance section to remove the shower head and flow regulator and clean.
	Insufficient water pressure.	Check water supply pressure. Refer to specification section for minimum working pressure.
	Isolation valve partially closed.	Open the isolation valve on the telescopic connection. Check any isolation valves to the water supply are open.

Notes

Notes

Issue: D2

Part Number: TFP4001

BRISTAN

Bristan Group Ltd.

UK: Bristan Group, B78 1SG.

EU: Masco Europe S.à.r.l.

14 Rue Strachen

6933 Mensdorf

Luxembourg

Customer Service: +44330 026 6273

Web: www.bristan.com

Email: enquire@bristan.com

A Masco Company

At Bristan, we want to make things as easy as possible for our customers. That's why we offer solid guarantees on all our products, effective from the date of purchase, to give you peace of mind.

To start your free guarantee simply scan the QR code and register your product.
Alternatively visit www.bristan.com/register.

For any other queries, please call our Customer Service on **0330 026 6273** where our expert team of advisors will be able to offer you any help and advice.

For full guarantee terms and conditions visit www.bristan.com/service-centre/guarantees.

