

HOU 3/4 C

HOURGLASS Tap Range

Hourglass Bath Taps Chrome



Specification

Product Type:	Bathroom Taps
Main Construction Material:	Brass
Mount Type:	Deck
Handle Type:	Lever
Connection Inlet:	3/4" BSP
Connection Outlet:	M24 Coin-Slot Aerator
Number of Tap Holes:	2
Valve/Cartridge Type:	3/4" Ceramic Disc Valve
Plumbing System Requirements:	Suitable for all plumbing systems
Minimum Dynamic Pressure (bar):	0.2 bar
Maximum Dynamic Pressure (bar):	5.0 bar
Maximum Hot Water Temperature °C:	65°C
Maximum Static Pressure (bar):	10 bar
Isolation Included:	No

Features:

- Long life and easy to use 1/4 turn ceramic disc valves
- Metal back nuts for added durability
- Chrome plated to BS EN 248

Product Certifications:

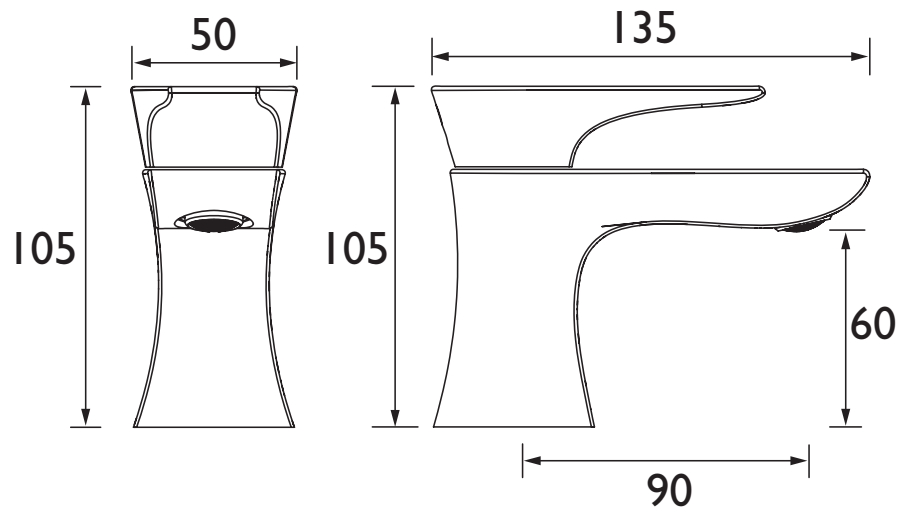


WRAS Certificate No: 2009906
WRAS Expiry Date: 30/09/2025

For more products, visit our website:
<http://www.bristan.com>



Dimensions (measurements in mm)



Flow Rates (l/min)

System Pressure (bar)	0.2	0.5	1	2	3	5
HOU 3/4 C (Cold)	13.1	20.8	29.8	42.1	51.6	66.6
HOU 3/4 C (Hot)	12.9	21.3	30.2	42.7	52.3	67.5

TECHNICAL DATA SHEET



BRISTAN

D4